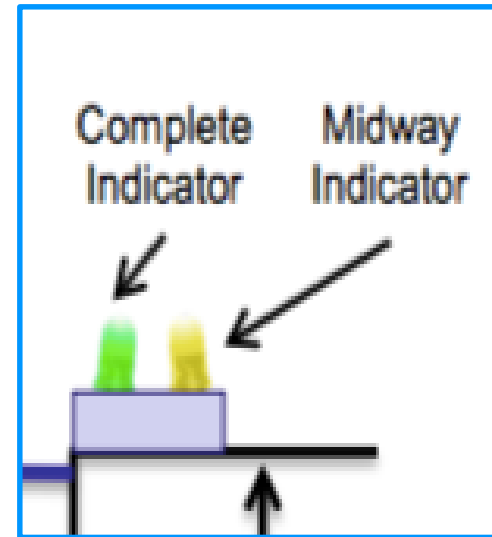


# Obstacle Course Light Sensors

The 2018 challenge involves the use of light sensors. A light sensor will be positioned at the furthest end of the course and at the beginning of the course. Each sensor will be connected to a switch box on the pool deck. The switch box is equipped with a timer.



Light Sensor



Switch Box and Timer



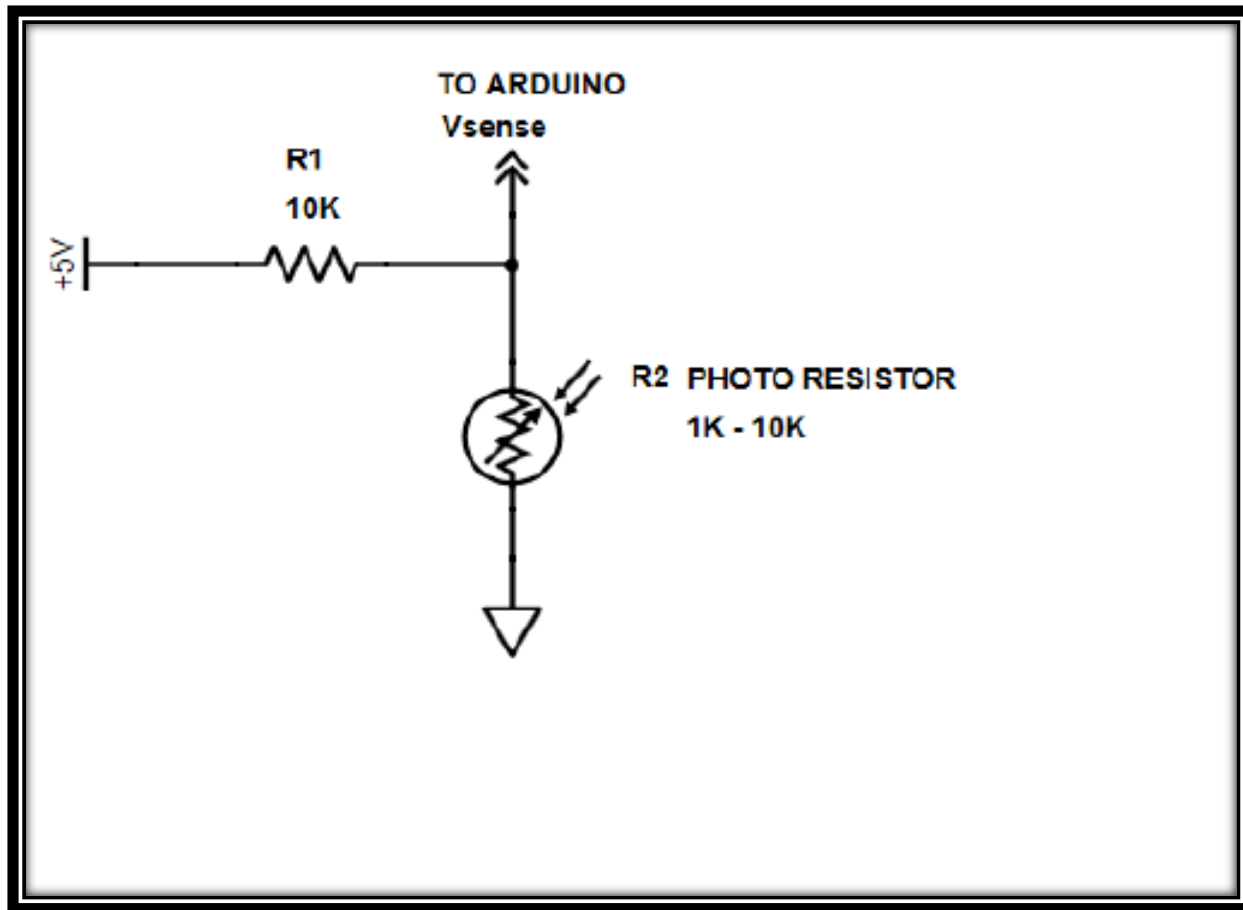
# Overview

---

1. Teams must navigate through the Obstacle course, and return through the course in reverse.
2. ROV triggers the light sensor at the far end (midway point) and the Yellow LED illuminates on the pool deck switch box.
3. The ROV returns through the course and triggers the second light sensor at the pool deck. The Green LED indicator light signals the judge the course is complete, and the judge records the time.
4. Scores for this round will be based on the fastest time.
5. Teams are given a total of no more than 10 minutes to complete the round.



# Light Sensor Schematic



# Light Sensor Placement

